

LOCATION PLAN

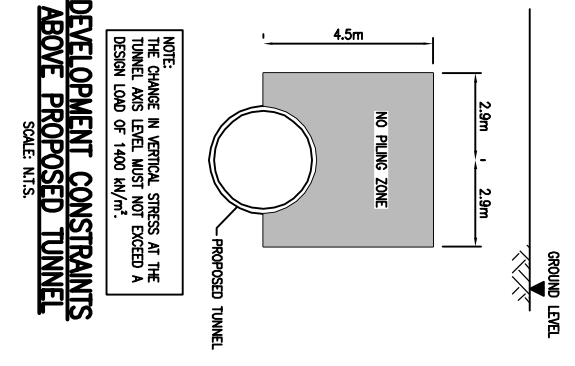
SCALE 1:2500

TITLE NUMBERS:
 NGL279091
 EGL372856

LEGEND:

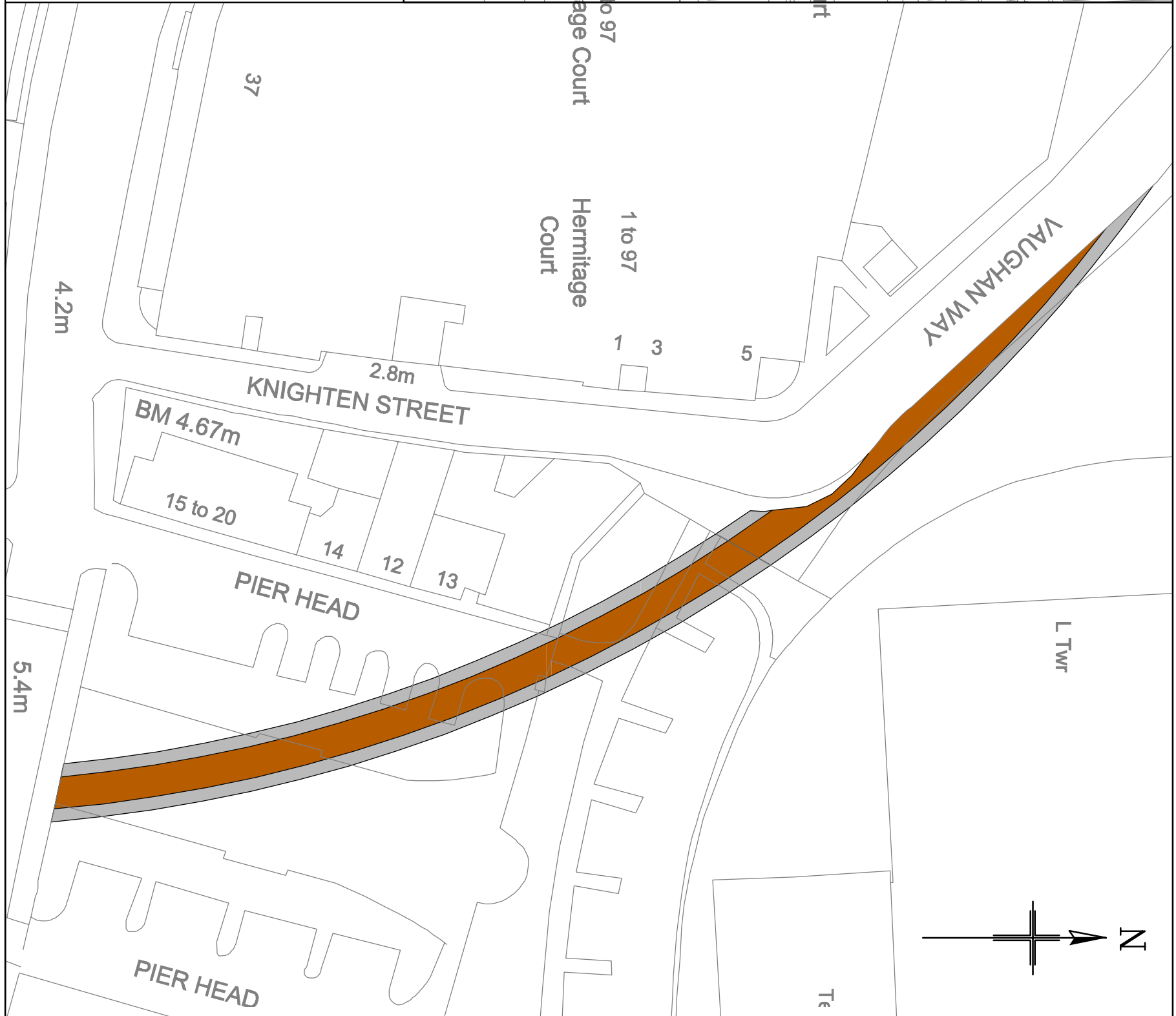
- CABLES RIGHTS AND ACCESS RIGHTS
- PROTECTION ZONE

GRID REF: T03480SW



NOTES

Reproduced by permission of Ordnance Survey on behalf of HMSO.
 © Crown copyright and database right 2010.
 All rights reserved. Ordnance Survey Licence numbers: 100019626,
 100019826, 100019450 and 1000049750.
 Data has been added to the Ordnance Survey base map; all proprietary
 rights in such additional data are and shall remain the exclusive
 property of © London Power Networks plc or Eastern Power Networks plc
 or South Eastern Power Networks plc or UK Power Networks (IDNO) Ltd,
 each being a distribution licensee under section 6(1)(c) of the Electricity Act
 1989 for the relevant distribution services area as that term is defined in
 such licensee's distribution licence. All rights in such data reserved.



Parsons Brinckerhoff

Westbrook Mills, Borough Road, Godalming, Surrey GU7 2AZ
 Tel: +44(0)1483 528400 FAX(0)1483 528999

© Copyright Parsons Brinckerhoff



**NEW CROSS TO FINSBURY MARKET
 DEEP CABLE TUNNEL – STAGE 3**

**PIER HEAD
 TITLE PLAN**

DATE	24/05/12	DRAWN	DF
SCALE	1:500 @ A3	DESIGNED	SJS
CAD REF	BFTU-7572-CB-00317-319.dwg	CHECKED	SJS
		APPROVED	SJS

DRAWING NUMBER
 BFTU-7572-CB-00318 | B03

© Copyright Parsons Brinckerhoff

THIS DRAWING WAS PRODUCED USING AUTOCAD AND SHOULD ON NO ACCOUNT BE AMENDED BY HAND